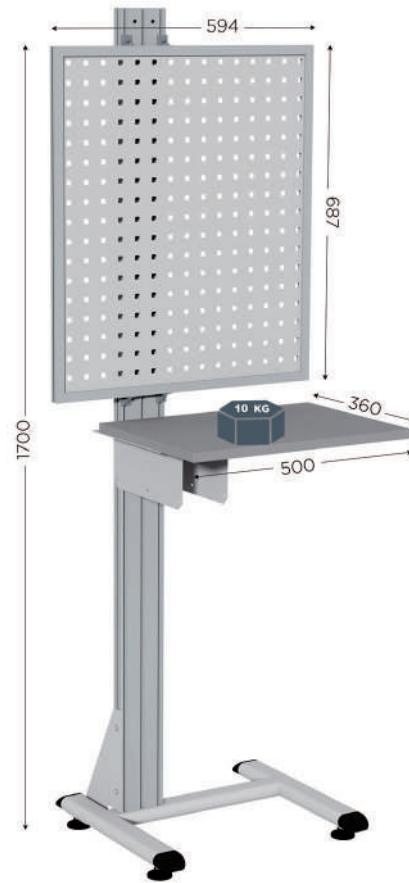


MAINTPOST 500

Tool-holder workstation

- Solid steel base, epoxy painting, anodised aluminium pillars which facilitate the attaching of accessories.
- Back panel with hooks in perforated sheeting, protected with epoxy paint
- Punched baseplate with 38 mm/1.49 Inch hole centres



Application

- Workshop
- Industry
- Lean Manufacturing
- Maintenance
- TPM



Accessories



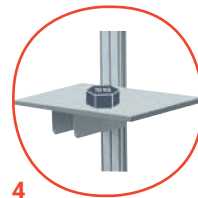
1



2



3



4



5

CODE	DESIGNATION	LEAD TIME	PACKING
515040	W 620 x D 400 x H 1700 mm / W 24.41 x D 15.75 x H 66.93 Inch punched rear bottom	10 days	Premounted
1	120050 Set of 4 swivel roller wheels with brake Ø 75 mm / Ø 2.95 Inch	On stock	In batch
2	149513 Design sign «MAINTENANCE POINT» W 600 x H 170 mm / W 23.62 x H 6.69 Inch with mounting bracket	On stock	In kit
3	531101 Single drawer with lock W 220 x D 350 x H 100 mm / W 8.66 x D 13.78 x H 3.94 Inch for QUALI-POST 500	On stock	Assembled
4	515100 Additional shelf W 500 x D 360 mm / W 19.69 x D 14.17 Inch fixing on aluminium profile	On stock	In kit
5	660140 Height-adjustable shelf W 450 x D 150 mm / W 17.72 x D 5.91 Inch fixing on aluminium profile for cleaning products	On stock	In kit