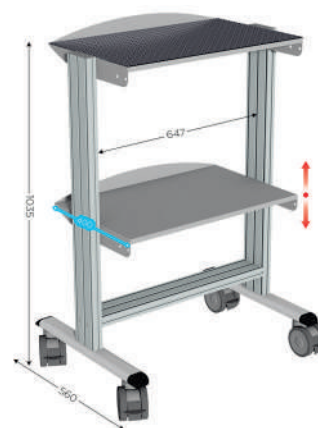


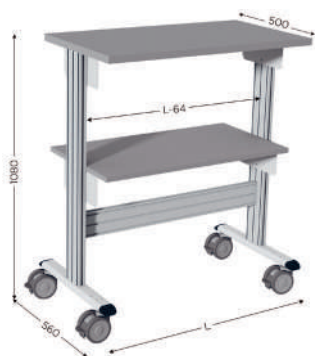
## ● Mobile trolley

- Chassis in metal sheet (grey epoxy paint) on 4 wheels Ø 100 mm/**3.93 Inch** (with brake)
- Grooved anodised vertical pillars
- Provided with 2 tops (of which one is height adjustable) with a rubber coating and fall arresters (permissible load of 140 kg per level)



645100	Trolley on wheels W 647 x D 560 x H 1035 / W 25.47 x D 22.05 x H 40.75 Inch mm of 2 levels with rubber coating	5 days	In kit
--------	--	--------	--------

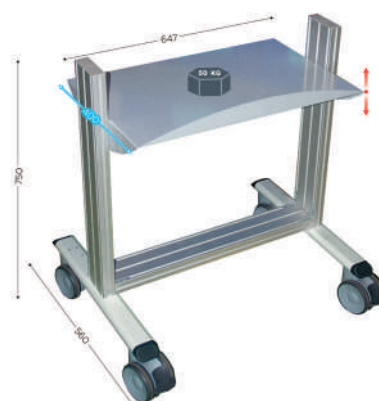
## ● PICKING TROLLEY



- Chassis in metal sheet (grey epoxy paint) on 4 wheels Ø 100 mm/**3.93 Inch** (with brake)
- Grooved anodised vertical pillars
- 2 shelves (140 kg admissible charge each)

645310	W 600 x D 560 x H 1080 mm of 2 levels on wheels	5 days	In kit
645320	W 900 x D 560 x H 1080 mm of 2 levels on wheels	5 days	In kit
645330	W 1200 x D 560 x H 1080 mm of 2 levels on wheels	5 days	In kit

## ● LEANPOST 100



REGISTERED  
MODEL

The [mobile trolley for bins](#) |LEANPOST 100 is essential to lose the production flow within the framework of LEAN MANUFACTURING and integrates all the components for the operators, this improves working conditions and the ergonomic at the workstation for better efficiency of the supply chain

- Chassis in metal sheet (grey epoxy paint) on 4 wheels Ø 100 mm/**3.93 Inch** (with brake)
- Grooved anodised vertical pillars

645105	LEANPOST 100 bin holder version W 647 x D 560 x H 750 mm / W 25.47 x D 22.05 x H 29.53 Inch of 1 levels on wheels	5 days	In kit
--------	---	--------	--------