

# LEANDYNAMIC

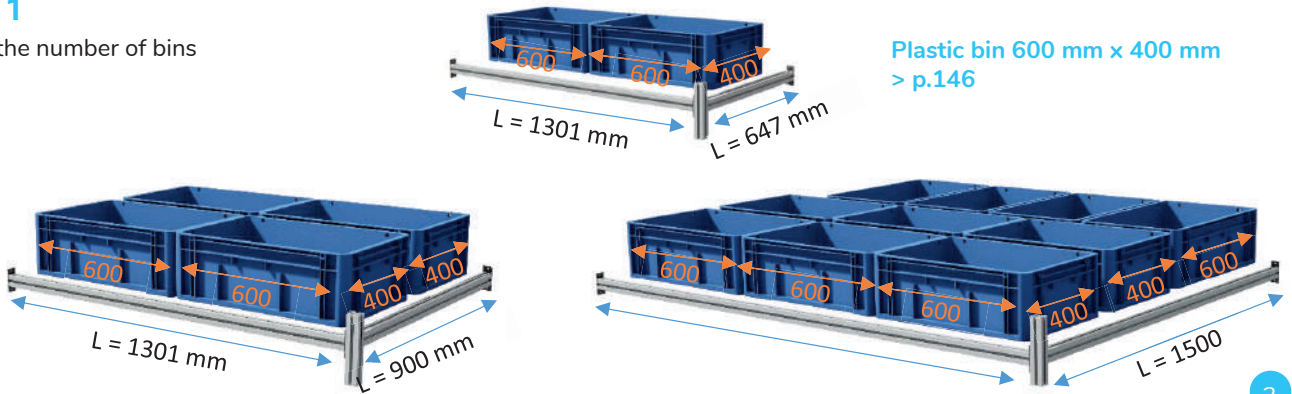
## Steps of construction

SESA SYSTEMS has developed two innovative connectors that are indispensable for carrying out customised dynamic storage. These two multidirectional connectors make it very easy and fast to fasten all of the aluminium bars which as such makes it possible to handle any situation.

The connector is first of all fixed to a first profile by 4 screws that allow for robust maintaining. The connector is then connected to the adjacent profile using two screws with fixture keys that provide good rigidity and offer the possibility for infinite settings according to the needs of the users.

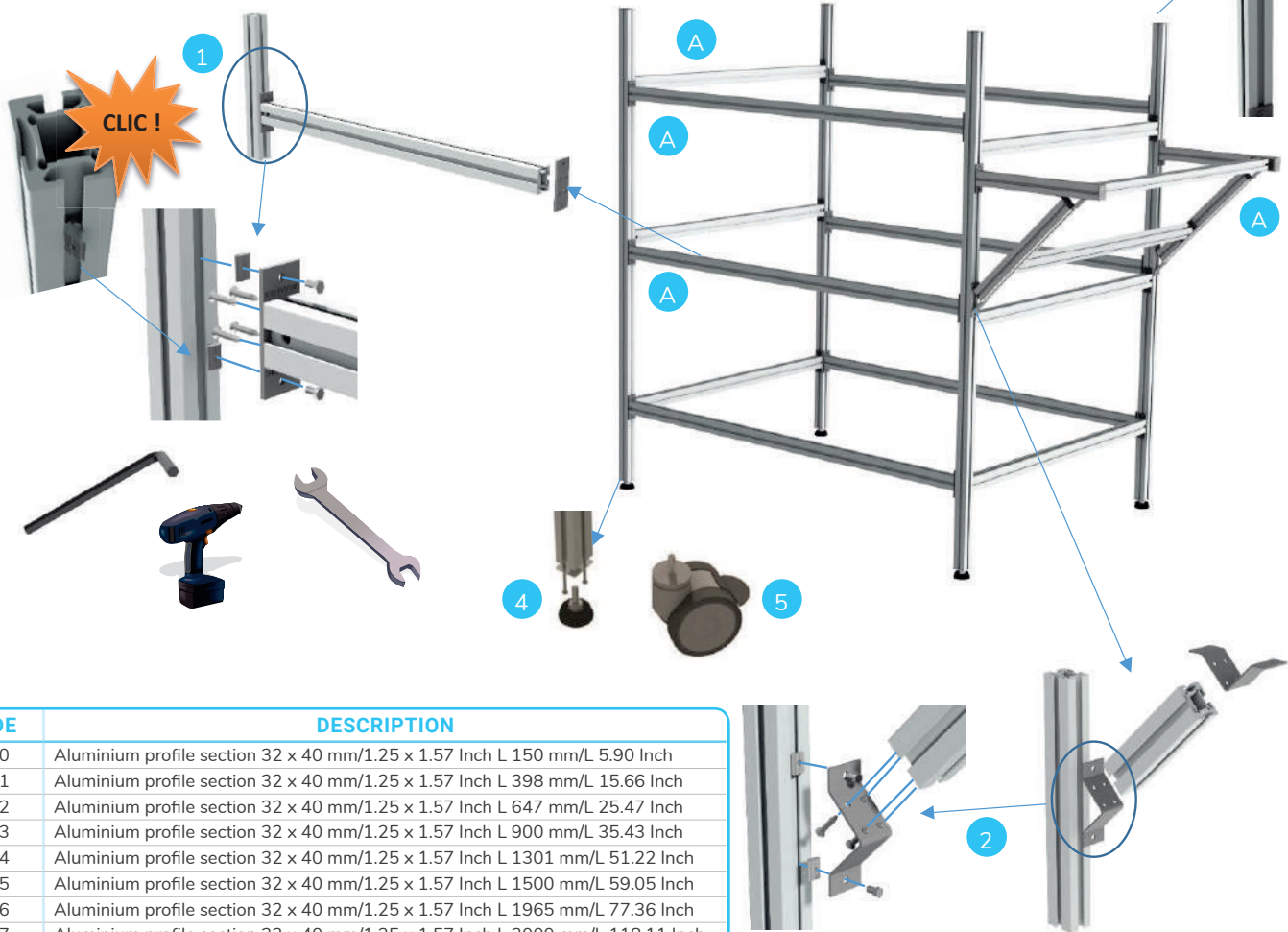
### STEP 1

Define the number of bins



### STEP 2

Define aluminium structure



CODE	DESCRIPTION
A 690100	Aluminium profile section 32 x 40 mm/1.25 x 1.57 Inch L 150 mm/L 5.90 Inch
A 690101	Aluminium profile section 32 x 40 mm/1.25 x 1.57 Inch L 398 mm/L 15.66 Inch
A 690102	Aluminium profile section 32 x 40 mm/1.25 x 1.57 Inch L 647 mm/L 25.47 Inch
A 690103	Aluminium profile section 32 x 40 mm/1.25 x 1.57 Inch L 900 mm/L 35.43 Inch
A 690104	Aluminium profile section 32 x 40 mm/1.25 x 1.57 Inch L 1301 mm/L 51.22 Inch
A 690105	Aluminium profile section 32 x 40 mm/1.25 x 1.57 Inch L 1500 mm/L 59.05 Inch
A 690106	Aluminium profile section 32 x 40 mm/1.25 x 1.57 Inch L 1965 mm/L 77.36 Inch
A 690107	Aluminium profile section 32 x 40 mm/1.25 x 1.57 Inch L 3000 mm/L 118.11 Inch
1 690120	Set of 4 universal connectors (with screws)
2 690121	Set of 4 angle connectors (with screws)
3 544060	Set of 8 stackable plastic cap 32 x 40 mm/1.25 x 1.57 Inch
4 544067	Set of 4 floor support adjustable feet M10
5 690130	Kit of 4 wheels with brake Ø 100 mm/3.94 Inch